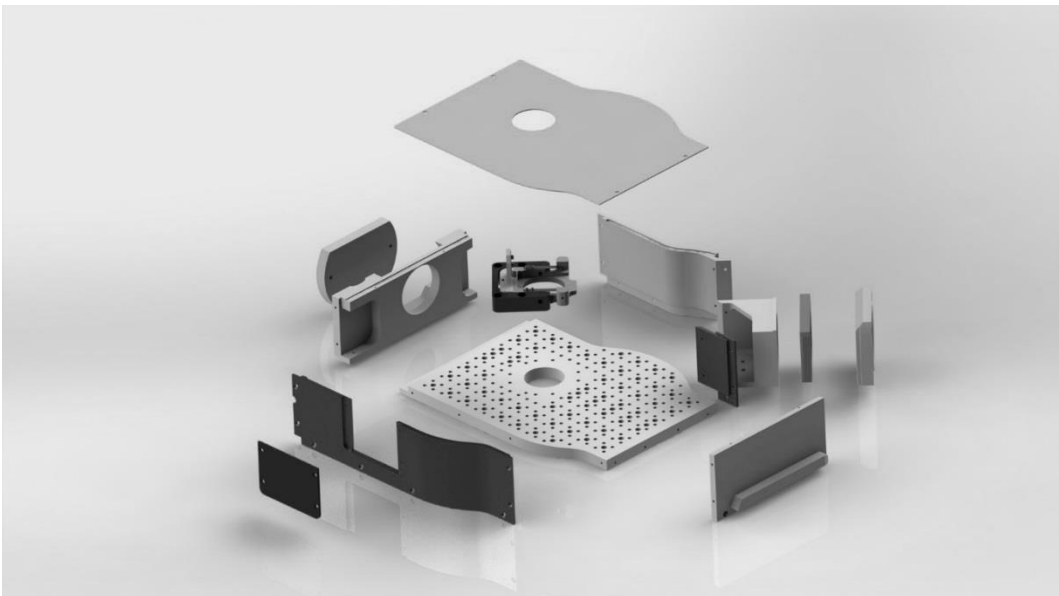


IX3 Breadboard & Accessories

*Platform for customized opto-mechanical solutions for the
Olympus IX3 microscope series*

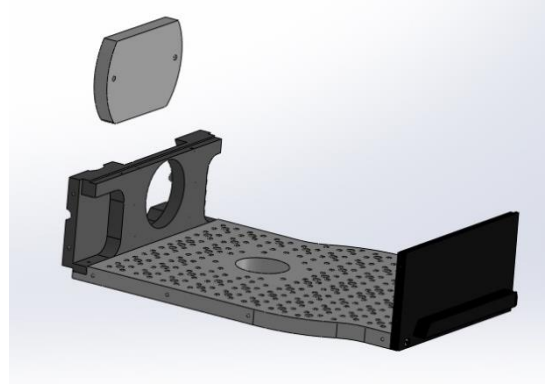
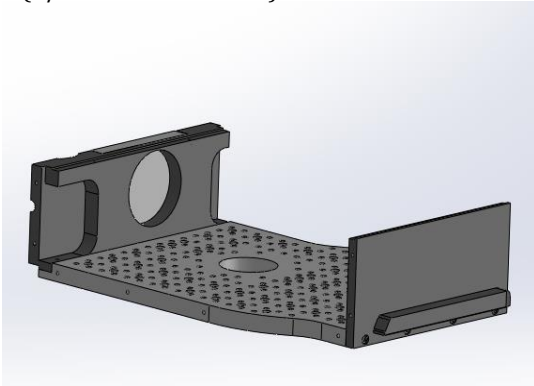


The IX3 breadboard assembly complements the versatility of the Olympus IX3 open platform and provides the user with the environment necessary to customize the microscope with external opto-mechanical components.

The breadboard slides easily in either the upper or the lower microscope deck space. Its curved profile is similar to that of the IX3-RFACA Olympus Motorized Fluorescence Mirror Turret and integrates seamlessly into the microscope frame.

Basic Breadboard

(P/N: OBB.IX3BBB.01)



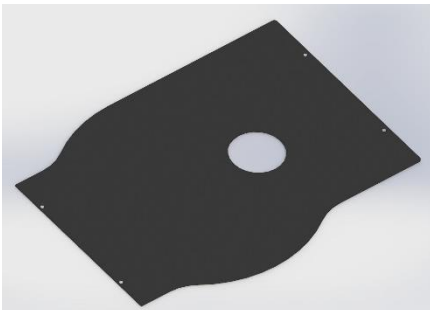
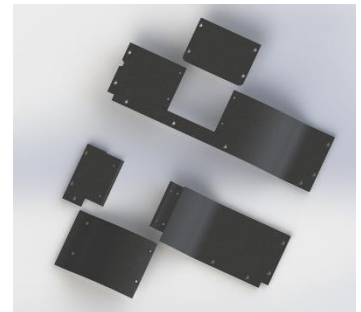
- Slide-in breadboard with front and back panels; back port protected by removable cover
- Staggered M4 and M6 thread patterns for easy mounting of optical components
- Optical components can be added to the breadboard via 30 mm Cage System (Thorlabs, Edmund Optics, etc.) and Microbench™ (Qioptiq) type mounts
- Covers the entire IX3 deck (with exception of the optical path), making full use of the space offered by the frame

Accessories...

Side Panels with Removable Covers

(P/N: OBB.IX3SPS.01)

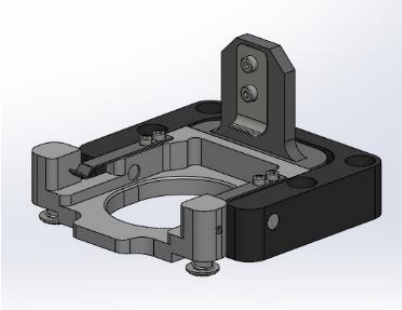
- Provide opaque deck closure to protect against stray light
- Curved shape to fit the microscope frame
- Removable covers to enable access to the optical path from both sides of the frame



Breadboard Cover

(P/N: OBB.IX3BC.01)

- Covers IX3 Breadboard with exception of the optical path
- Provides further protection against stray light
- Fastened to the front and rear panels; side panels not required



Adjustable Filter Cube Holder

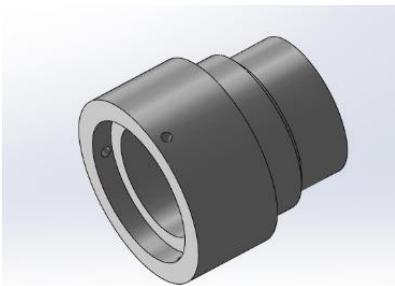
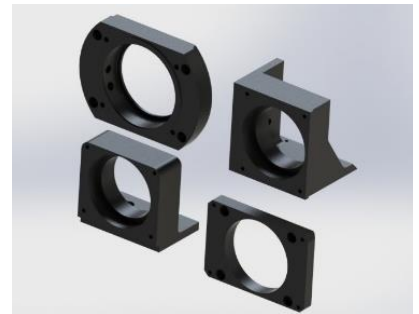
(P/N: OBB.IX3AFCH.01)

- Filter cube holder for Olympus U-F* & IX3-F*XL cubes
- Can be oriented in different directions as required by the location of the port or of other opto-mechanical components
- Tilt adjustment to correct the direction of the beam path

Flange Set

(P/N: OBB.IX3FS.01)

- Flange assembly to build microscope ports on different sides (rear, left, right) of the IX3 breadboard
- Allows the mounting of different Olympus or Olympus-compatible equipment (light sources, cameras, etc.)
- Reproduces the Olympus standard flange design



MVX Flange

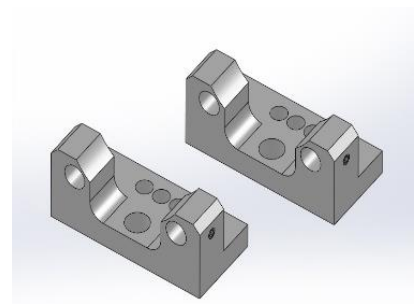
(P/N: OBB.IX3FMX.01)

- Modifies the Olympus standard flange to accept the MVX tube lens
- Can be attached to either the IX3-RFACA or the IX3 Breadboard flange set, to build a camera port

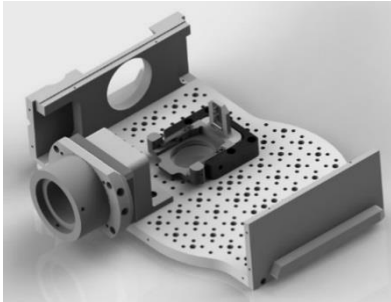
MBC Mount Set

(P/N: OBB.IX3MBC.01)

- Mounts to fasten the Microbench™ (Qioptiq) and 30 mm Cage Assemblies (Edmund Optics, Thorlabs, etc.) to the IX3 Breadboard
- Two mounts per set

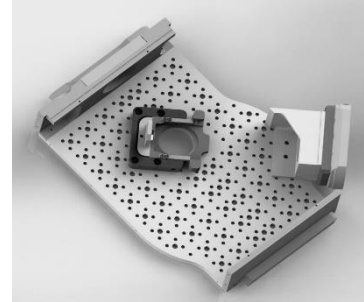


Breadboard Assembly for Olympus IX3

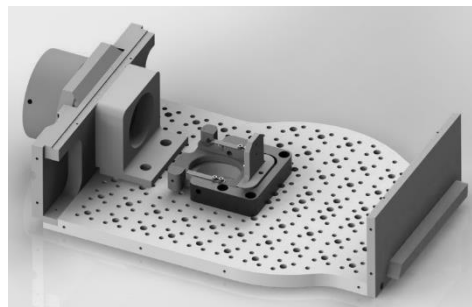


Breadboard (P/N: OBB.IX3BBB.01) with left side port (P/N: OBB.IX3FS.01) and filter cube holder (P/N: OBB.IX3AFCH.01)

VERSATILITY

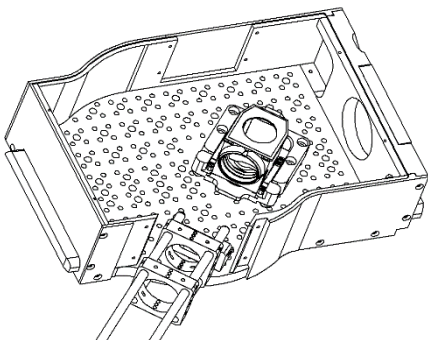


Breadboard (P/N: OBB.IX3BBB.01) with right side port (P/N: OBB.IX3FS.01) and filter cube holder (P/N: OBB.IX3AFCH.01)



Breadboard (P/N: OBB.IX3BBB.01) with back port (P/N: OBB.IX3FS.01), filter cube holder (P/N: OBB.IX3AFCH.01) and MVX flange (P/N: OBB.IX3FMX.01)

FUNCTIONALITY



Breadboard with Microbench system on the right side port (Microbench components not included)

SAFETY & OPTICS PROTECTION



Closed breadboard with right side port and filter cube mount